



Operator Manual

Revision 2.3 | April 1, 2026



Website: www.breakawayanchor.com

Address: 3101-1A Fruit Ridge Ave NW, Grand Rapids, MI 49544 USA

Table of Contents

How the Anchor Works..... 3

Dimensional Views..... 3

Deployment & Retrieval Procedures..... 5

BA21A Assembly Exploded View..... 7

BA21A Parts List..... 7

BA24A Assembly Exploded View..... 8

BA24A Parts List..... 8

BA32A Assembly Exploded View..... 9

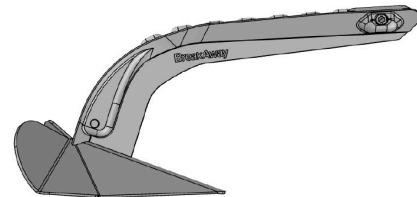
BA32A Parts List..... 9

Troubleshooting.....10

Anchor Chain Replacement Procedure.....10

Link Replacement Procedure10

Breakaway Anchor LLC Product Warranty11



Model	Anchor Length		Anchor Width		Anchor Weight		Boat Length		Recommended Chain Size	Part Number
	mm	Inch	mm	Inch	kg	Lb	m	Ft	Inch	
BA21A	533	21"	279	11"	8.9	19.5	6.4 - 9.4	21' - 31'	3/8" / 10mm	BAA-121
BA24A	610	24"	305	12"	11.4	25	7.62 - 12.5	25' - 41'	3/8" / 10mm	BAA-124
BA32A	813	32"	356	14"	19	42	12.19 - 17.68	40' - 58'	3/8" / 10mm	BAA-132

How the Anchor Works

The Breakaway Anchor is designed to deliver reliable holding power in a variety of seabed conditions, while ensuring safe and efficient release when retrieval forces exceed the preset breakaway threshold.

Function Overview:

- During deployment, the shovel blade penetrates and sets into the seabed under tension.
- The link and pin mechanism distribute load evenly across the anchor body, maximizing hold.
- Upon excessive retrieval force (e.g., snagging), the link disengages, allowing the anchor to release upward without damage.
- The system is resettable for the next deployment.

Design Advantages:

- Corrosion-resistant marine grade 316L stainless steel construction.
- Resettable breakaway design for safety and reusability.
- Optimized geometry for strong holding in sand, mud, or clay.

Dimensional Views

Figure 4. BA21A Anchor Assembly View – Reference dimensions shown in inches (for illustration only).

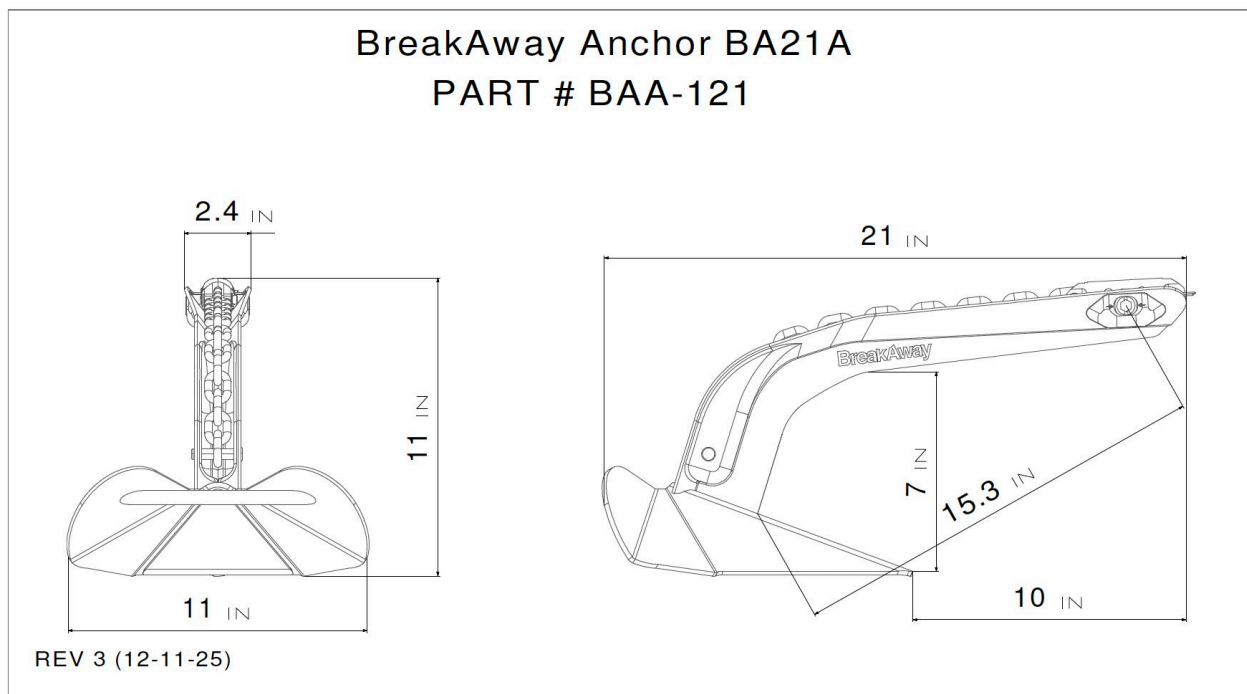


Figure 5. BA24A Anchor Assembly View – Reference dimensions shown in inches (for illustration only).

**BreakAway Anchor BA24A
PART # BAA-124**

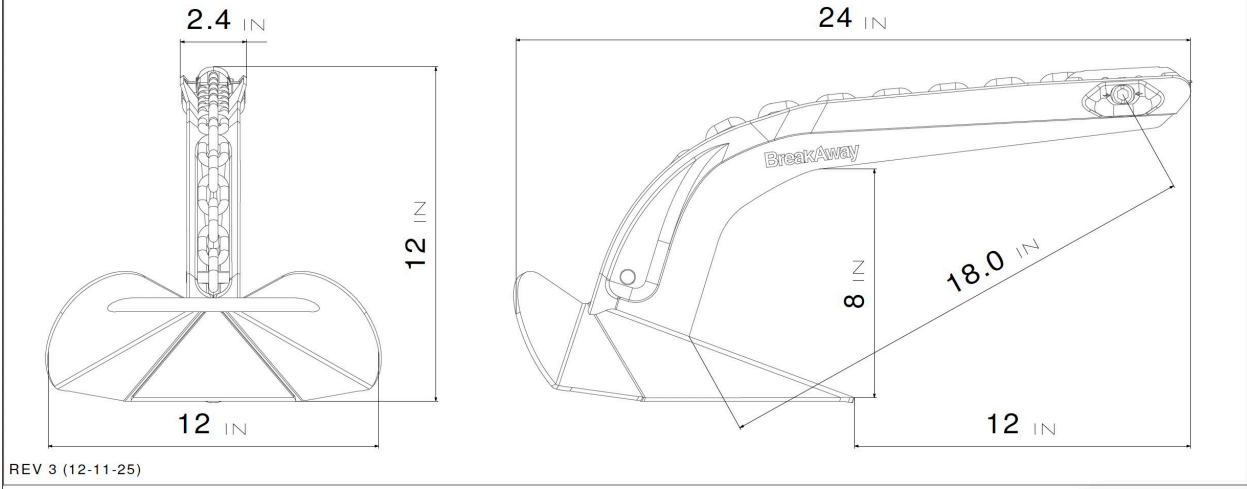
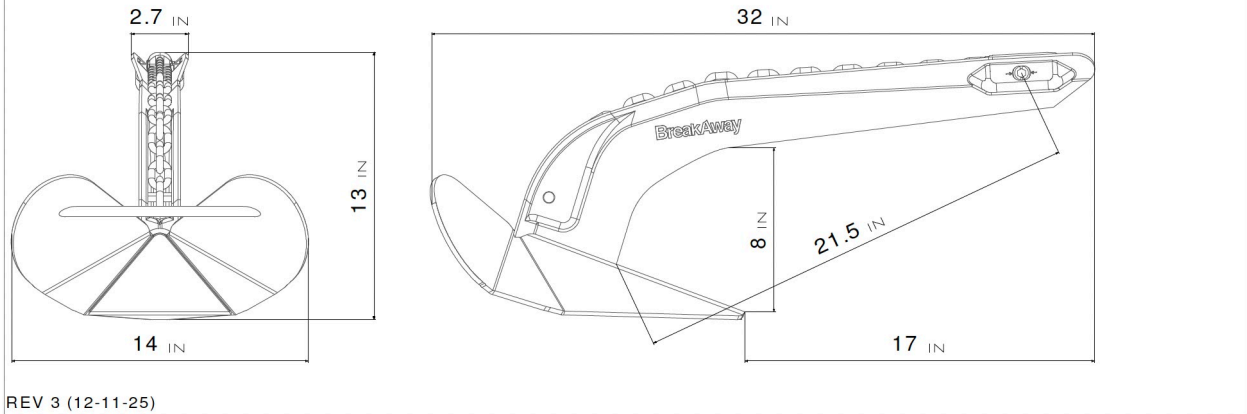


Figure 6. BA32A Anchor Assembly View – Reference dimensions shown in inches (for illustration only).

**BreakAway Anchor BA32A
PART # BAA-132**



Deployment & Retrieval Procedures

Safety Precautions:

- Always wear protective gloves and eye protection when handling anchors and chains.
- Never stand directly over the anchor during deployment or retrieval.
- Inspect all fasteners and linkages before each use. Replace any worn components immediately.

Deployment Procedure

Follow the steps below each time you deploy the Breakaway Anchor:

Inspect the Anchor Assembly

Check the anchor, chain, Breakaway mechanism, and all fasteners for signs of wear, deformation, or corrosion. Replace components as needed

Note: The copper alloy link (BAA-1XX-04) may develop surface oxidation over time, forming a protective layer. This may affect appearance but does not impact performance. If the link continues to properly lock and unlock from the anchor pin, it remains safe for use.

Secure the Chain Connection

Ensure the chain connection is properly fastened over the retaining pins, and that the retaining pins are fully inserted and locked in place using the supplied clips and cotter pin.

Lower the Anchor Slowly

Lower the anchor in a controlled manner until it contacts the seabed.

Do not throw or drop the anchor overboard.

Set Proper Scope (7:1 Ratio)

Pay out anchor line to achieve the recommended **7:1 scope ratio** (line length : water depth) for optimal holding strength.

Set the Anchor

Apply gradual, steady tension to the anchor line until the vessel comes under load.

Confirm the anchor has engaged and the vessel is holding securely.

Retrieval Procedure

Under normal conditions, retrieve the Breakaway Anchor as you would a traditional anchor:

Position the Vessel

Move the vessel directly above the anchor's position.

Retrieve the Line Steadily

Pull upward until the anchor breaks free and rises normally.

Breakaway Release Procedure (If Anchor Becomes Stuck)

If the anchor does not become free using standard retrieval:

Reposition the Vessel

Move directly over the anchor's last known location. If needed, continue slightly **past** that point to pull from the opposite direction of the original set.

Apply Upward Tension

Begin retrieving the anchor line to create controlled, upward pressure.

Activate the Breakaway Release Mechanism

Maintain steady line tension. The Breakaway mechanism will release, allowing the anchor to shift opposite of the obstruction and free itself.

Retrieve the Anchor

Once released, the anchor should rise freely to the surface.

Post-Retrieval Reset

After the anchor is on board:

Clean the Anchor Assembly

After each use, thoroughly rinse the anchor with fresh water to remove salt, debris, and contaminants. This helps maintain anchor integrity and reduces the risk of corrosion.

Inspect Breakaway Mechanism

Check for wear/bent components.

Reattach & Reset

Reinstall the Breakaway mechanism per *Resetting Anchor Link* steps and ensure all clips and pins are properly secured.

Verify Ready for Use

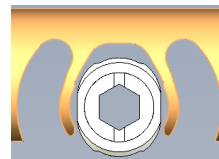
Ensure the anchor is fully reassembled and operational before redeployment.

Resetting Anchor Link

Follow the steps below to reset the Breakaway Anchor link:

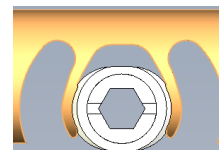
Place the Link on the Cam Pin

Take the detached link and place it over the cam pin with the cam oriented as shown.



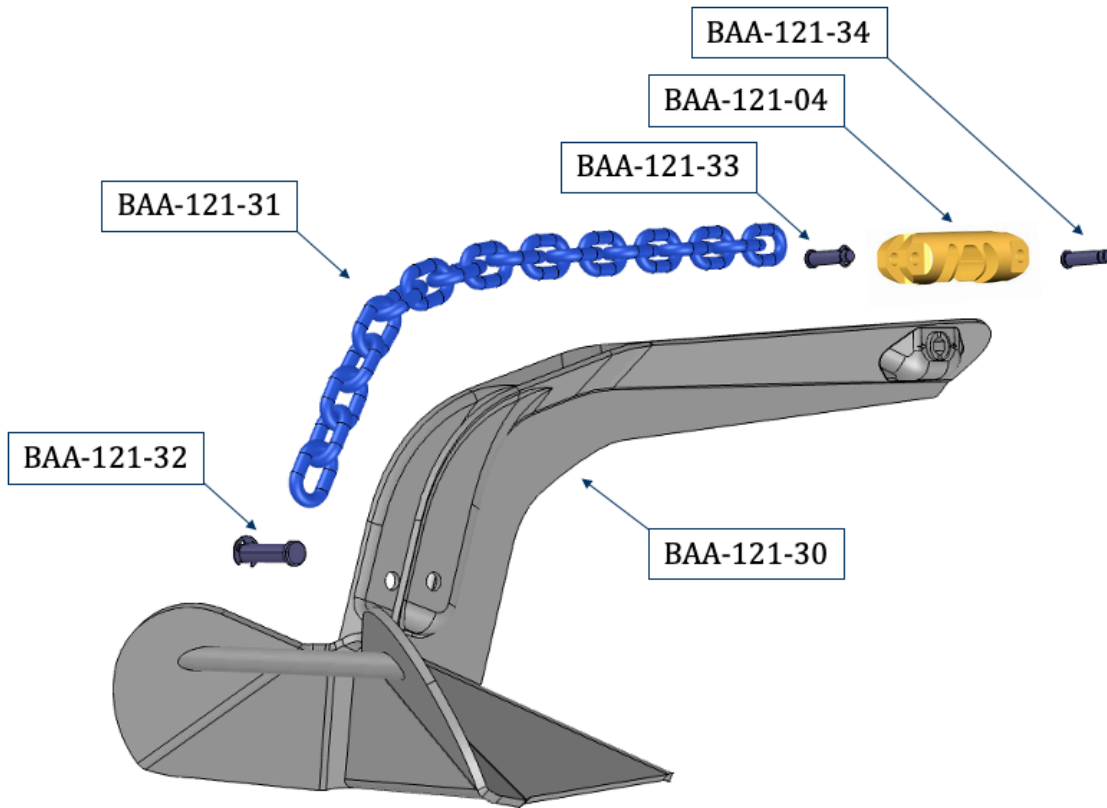
Rotate the Cam to Lock the Link

Using the provided Allen wrench, rotate the cam pin 90 degrees, allowing the link to lock over the cam pin.



BA21A Assembly Exploded View

Figure 1. BA21A Anchor Assembly Exploded View – Reference (for illustration only).



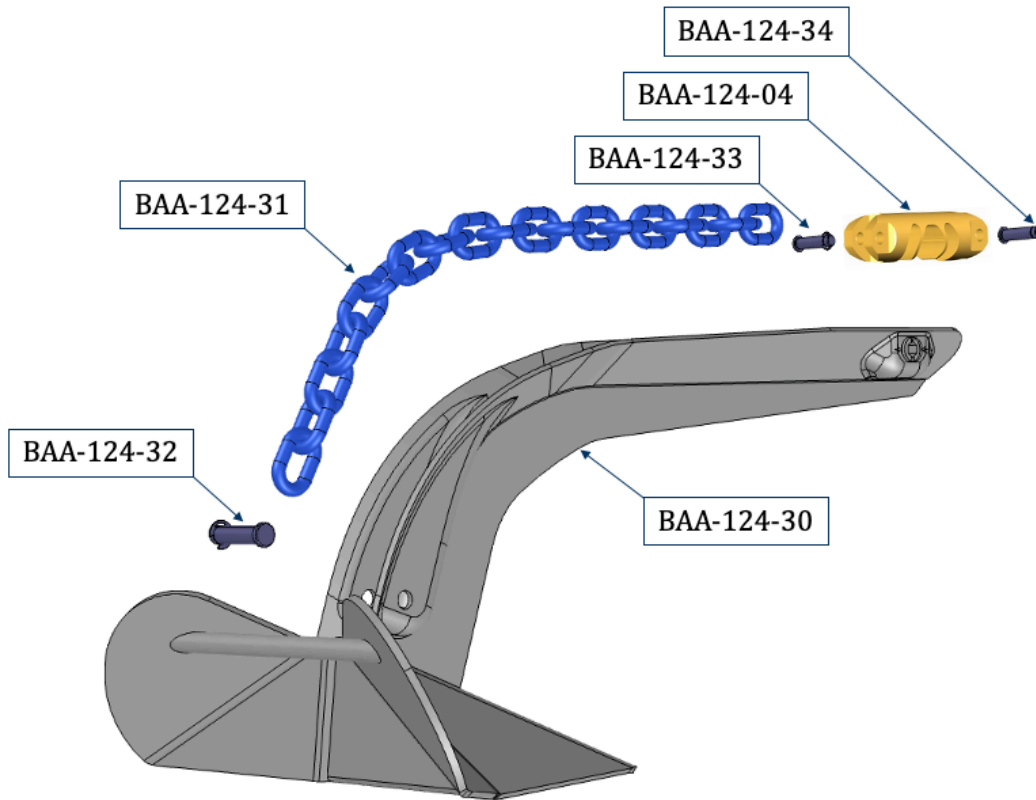
BA21A Parts List

BAA-121-00	Complete Anchor Assembly
BAA-121-04	Link
BAA-121-30	Body with Pin, Cover Attached
BAA-121-31	1/4-15L SS Chain
BAA-121-32	3/8" SS Clip Pin
BAA-121-33	5/16" SS Clip Pin
BAA-121-34	5/16" SS Cotter Pin +C/Pin
BAA-121-35	3/8" Allen Wrench

Replacement Parts (See website for details)

BA24A Assembly Exploded View

Figure 2. BA24A Anchor Assembly Exploded View – Reference (for illustration only).



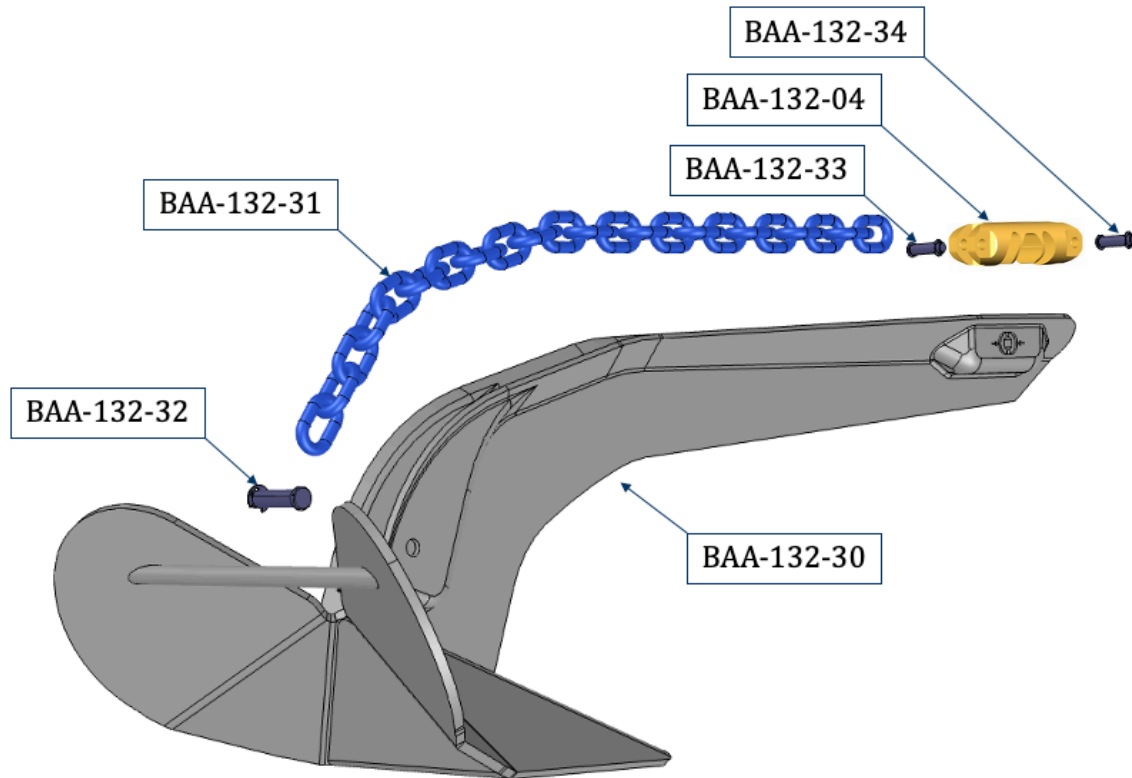
BA24A Parts List

- BAA-124-00 Complete Anchor Assembly
- BAA-124-04 Link
- BAA-124-30 Body with Pin, Cover Attached
- BAA-124-31 5/16-15L SS Chain
- BAA-124-32 7/16" SS Clip Pin
- BAA-124-33 5/16" SS Clip Pin
- BAA-124-34 5/16" SS Cotter Pin +C/Pin
- BAA-124-35 3/8" Allen Wrench

Replacement Parts (See website for details)

BA32A Assembly Exploded View

Figure 3. BA32A Anchor Assembly Exploded View – Reference (for illustration only).



BA32A Parts List

- BAA-132-00 Complete Anchor Assembly
- BAA-132-04 Link
- BAA-132-30 Body with Pin, Cover Attached
- BAA-132-31 5/16-21L SS Chain
- BAA-132-32 7/16" SS Clip Pin
- BAA-132-33 5/16" SS Clip Pin
- BAA-132-34 5/16" SS Cotter Pin +C/Pin
- BAA-132-35 3/8" Allen Wrench

Replacement Parts (See website for details)

Troubleshooting/Component Replacement

Chain Replacement Procedure

Unlock the Link

Use the provided Allen wrench to turn the cam pin and unlock the link.

Remove the Existing Pins

With the link now detached, remove the rear SS Clip Pin and the 5/16" SS Clip Pin (link end) by unclipping the C-clips and removing the pins.

Remove the Chain

The chain is now free from the anchor and can be swapped with a new replacement chain.

Install the New Chain

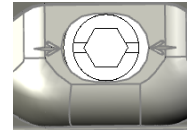
Place the new chain into the anchor by sliding the 3/8" SS Clip Pin and 5/16" SS Clip Pin back through the anchor holes and the link holes, ensuring the chain surrounds the pins.

Install the Clips

Ensure the clips are placed onto the pins.

Lock the Link in Place

Use the provided Allen wrench to lock the link back into place.



Link Replacement Procedure

Unlock the Link

Use the provided Allen wrench to turn the cam pin 90 degrees, releasing and unlocking the link from the anchor body.

Remove the Existing Retaining Pins

Remove the 5/16" stainless-steel c-clip and cotter pin:

- Pull out the clip/cotter pin from retaining pins.
- Remove the retaining pin to free the link from the anchor chain and user's line.

Remove and Replace the Link

Remove the old link and install the new link. The link is symmetrical and may be installed in either direction.

Reattach the Chain & Line

Attach the new link to the anchor's supplied chain and the user's line. Reinsert retaining pins so the chain and line are captured.

- Install the clip on the chain-side pin.
- Install the cotter pin on the user-line-side pin.

Lock the Link in Place

Use the provided Allen wrench to turn the cam pin and lock the link securely into place.

Breakaway Anchor LLC Product Warranty

1. **Introduction.** This Product Warranty (this “**Warranty**”) is excerpted from, and subject to, all terms contained in Breakaway Anchor LLC’s Terms of Use (the “**Terms**”) published at [<http://breakawayanchor.com>]. This Product Warranty is included here solely for your convenience. Nothing in this Operator Manual is intended to, or does, supersede the Terms. By using any Breakaway Anchor Product, you acknowledge that you have read, understand, and agree with the Terms. If you do not wish to be bound by the Terms and this Warranty, do not use the Breakaway Anchor (the “**Product**”).
2. **Warranties.**
 - 2.1. **Use Website and Breakaway Anchor Products At Your Own Risk.** YOUR USE OF THE PRODUCT IS AT YOUR OWN RISK. NEITHER BREAKAWAY ANCHOR NOR ANY PERSON ASSOCIATED WITH BREAKAWAY ANCHOR MAKES ANY WARRANTY OR REPRESENTATION WITH RESPECT TO THE PRODUCT OTHER THAN AS EXPRESSLY SET FORTH IN THE TERMS.
 - 2.2. **Express Limited Warranty Relating to Breakaway Anchor Product.** We warrant that for one year following your purchase of a Breakaway Anchor, it will be free from defects in materials and workmanship. This Express Limited Warranty does not cover damage due to (a) transportation; (b) storage; (c) improper use; (d) failure to follow the Operator Manual or to perform any preventive maintenance; (e) modifications; (f) unauthorized repair; (g) normal wear and tear; or (h) external causes such as accidents, abuse, or other actions or events beyond our reasonable control.
 - 2.3. **Additional Disclaimer.** BREAKAWAY ANCHOR HEREBY DISCLAIMS ALL WARRANTIES OF ANY KIND NOT SPECIFICALLY SET FORTH HEREIN, WHETHER EXPRESS OR IMPLIED, STATUTORY OR OTHERWISE, INCLUDING BUT NOT LIMITED TO ANY WARRANTIES OF MERCHANTABILITY, NON-INFRINGEMENT, AND FITNESS FOR PARTICULAR PURPOSE. THE FOREGOING DOES NOT AFFECT ANY WARRANTIES WHICH CANNOT BE EXCLUDED OR LIMITED UNDER APPLICABLE LAW.
 - 2.4. **Limitation of Liability.**
 - 2.4.1. IN NO EVENT WILL BREAKAWAY ANCHOR, ITS AFFILIATES, OR THEIR LICENSORS, SERVICE PROVIDERS, EMPLOYEES, AGENTS, MEMBERS, MANAGERS, OFFICERS, OR DIRECTORS BE LIABLE FOR DAMAGES OF ANY KIND, UNDER ANY LEGAL THEORY, ARISING OUT OF OR IN CONNECTION WITH YOUR USE, OR INABILITY TO USE ANY BREAKAWAY ANCHOR PRODUCT, AND ANY DAMAGE CAUSED BY YOUR USE OF OR INABILITY TO USE ANY BREAKAWAY ANCHOR PRODUCT OTHER THAN A CLAIM FOR THE EXPRESS LIMITED WARRANTY SET FORTH IN SECTION 2.2, ABOVE, IN WHICH CASE YOUR EXCLUSIVE REMEDY IS A REPLACEMENT PRODUCT. BY USING A
 - 2.4.2. BREAKAWAY ANCHOR PRODUCT, YOU HEREBY ACKNOWLEDGE THAT BREAKAWAY ANCHOR WILL NOT BE LIABLE FOR ANY DIRECT, INDIRECT, SPECIAL, INCIDENTAL, CONSEQUENTIAL, OR PUNITIVE DAMAGES, INCLUDING BUT NOT LIMITED TO, PERSONAL INJURY, PAIN AND SUFFERING, EMOTIONAL DISTRESS, LOSS OF REVENUE, LOSS OF PROFITS, LOSS OF BUSINESS OR ANTICIPATED SAVINGS, LOSS OF USE, LOSS OF GOODWILL, AND WHETHER CAUSED BY TORT (INCLUDING NEGLIGENCE), BREACH OF CONTRACT, OR OTHERWISE, EVEN IF FORESEEABLE. THE FOREGOING DOES NOT AFFECT ANY LIABILITY WHICH CANNOT BE EXCLUDED OR LIMITED UNDER APPLICABLE LAW. IN NO EVENT WILL THE TOTAL LIABILITY TO YOU BY BREAKAWAY ANCHOR, ITS AFFILIATES, ITS MEMBERS, ITS MANAGERS, ITS EMPLOYEES, AND ITS CONTRACTORS, FOR ANY CLAIMS, DAMAGES, LOSSES, AND CAUSES OF ACTION EXCEED THE AMOUNT YOU PAID TO BREAKAWAY ANCHOR FOR A BREAKAWAY ANCHOR PRODUCT.

3. Miscellaneous.

- 3.1.** No waiver of any breach of any provision of the Terms will be deemed a waiver of any preceding or succeeding breach or of any other provision of these Terms. No extension of time for performance of any obligations or acts will be deemed a extension of the time for performance of any other obligations or acts.
- 3.2.** In the event that any one or more of the provisions contained herein shall, for any reason, be held to be invalid, illegal, or unenforceable in any respect, such invalidity, illegality, or unenforceability shall not affect any other provisions of these Terms, but these Terms shall be construed as if such invalid, illegal, or unenforceable provisions had never been contained herein, unless the deletion of such provision or provisions would result in such a material change so as to cause completion of the transactions contemplated herein to be unreasonable.
- 3.3.** The Terms are governed by the laws of the State of Michigan and any disputes arising out of these Terms shall be litigated in a court of competent jurisdiction sitting in Kent County, Michigan, which shall apply the laws of the State of Michigan without giving effect to any choice or conflict of law provision or rules.
- 3.4.** The Terms from which this Warranty is excerpted are the entire and exclusive agreement between Breakaway Anchor and you regarding the Product, and the Terms supersede and replace any prior agreements between Breakaway Anchor and you regarding the Product.